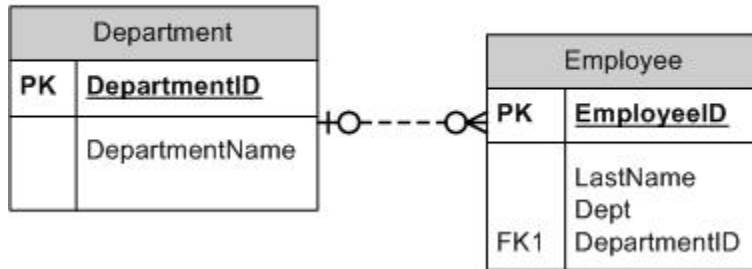


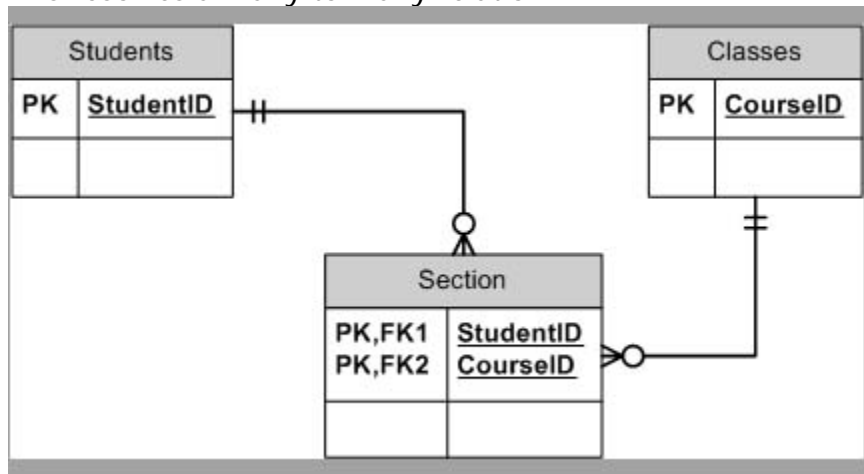
COMMON RELATIONAL PATTERNS

One to Many One to Many

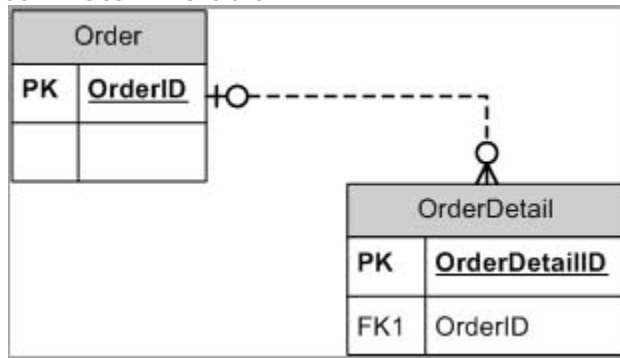


Linking table

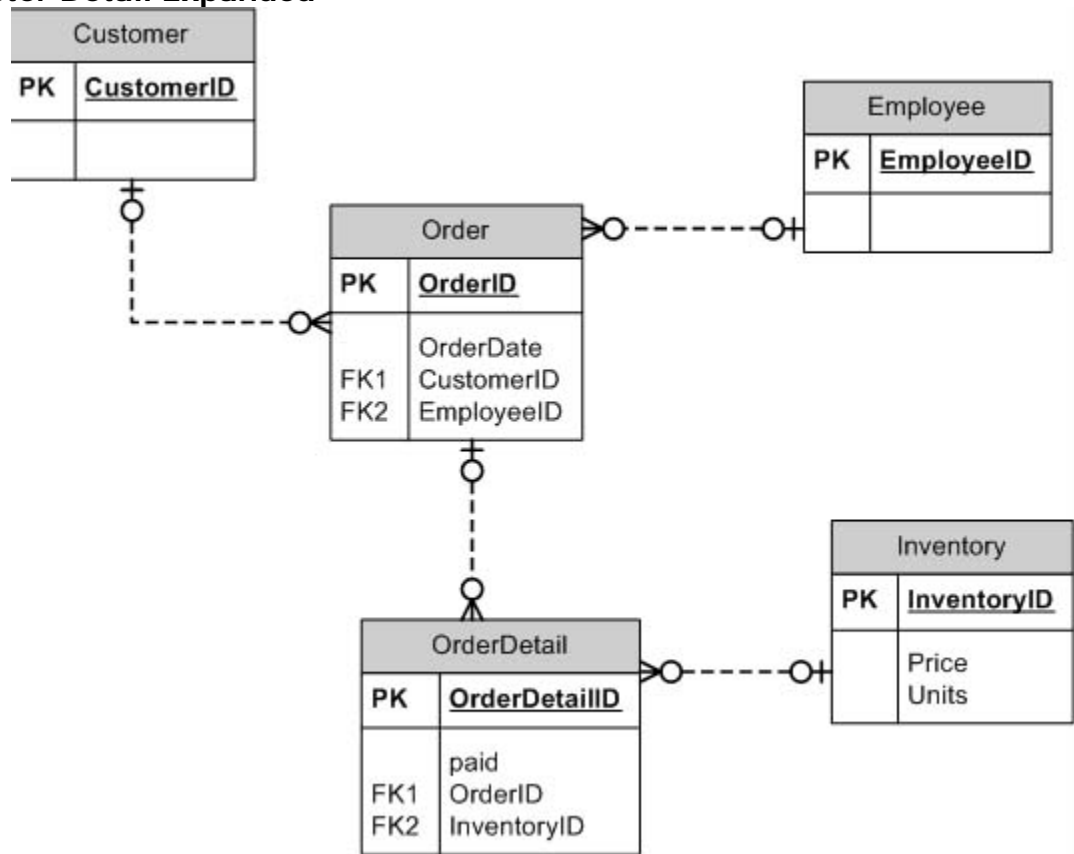
This resolves a many to many relation



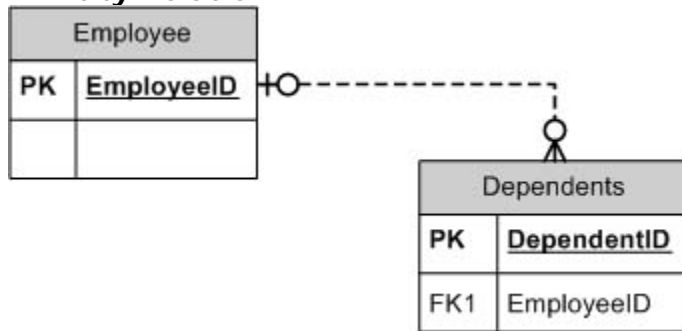
Master Detail Relation



Master Detail Expanded



Weak Entity Relation



Generalization/Specialization pattern

